

CONGRATULATIONS!

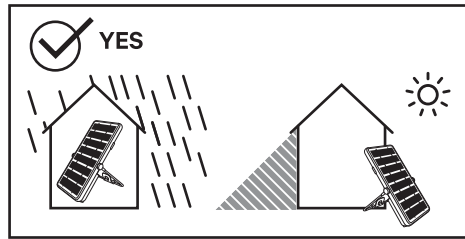
You are now the BRIGHT owner of a BRIGHT Move 120 solar lamp & phone charger. Kindly follow these instructions for optimal use and durability.

1. Charge it

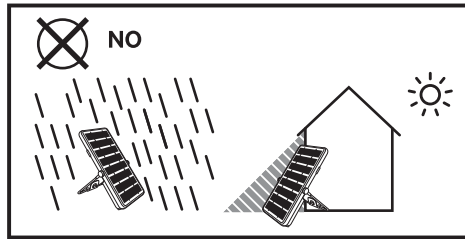
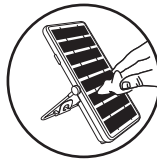
Place BRIGHT Move 120 in direct sunlight



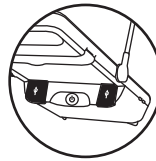
Depending on sun conditions



Regularly wipe the solar panel to clean from dust & dirt using a soft cloth. Do not use chemicals!



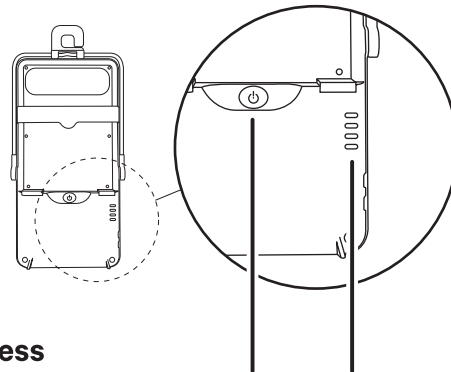
Make sure plugs are covered when no cable is connected. Avoid dirt and moisture getting into the plugs.



2. Light modes

Short press = Battery status

Long press = Light modes



Full battery run time

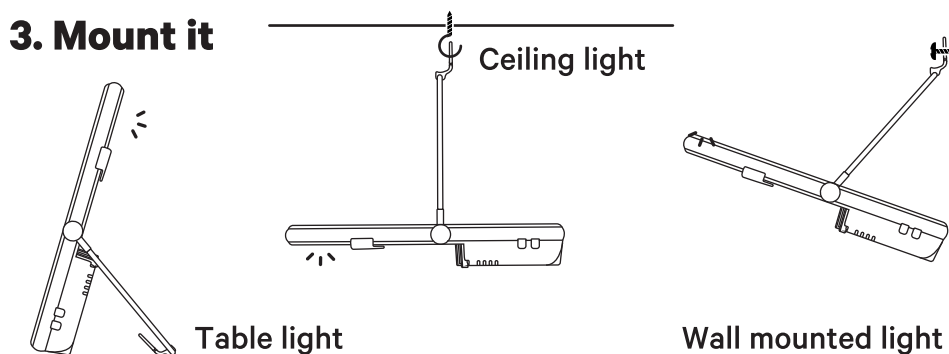
1 st press	2 nd press	3 rd press
40 h+ 20 lm	10 h+ 80 lm	5 h+ 200 lm

On / Off button Battery indication

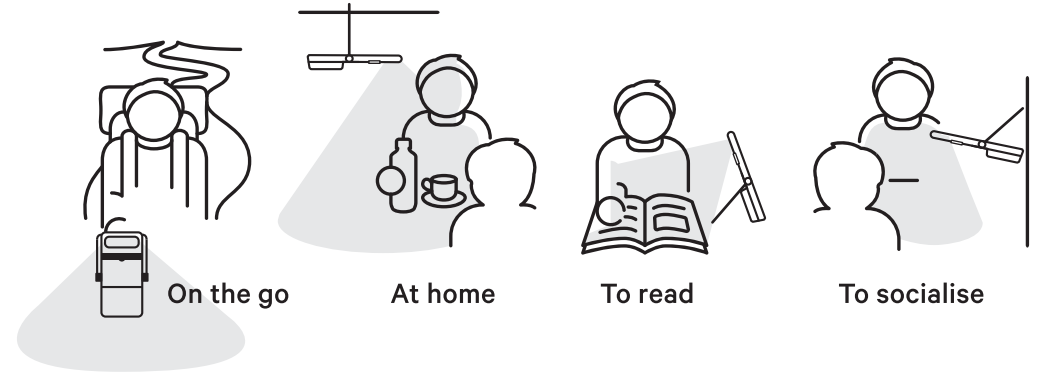
Solar run time

20 h+ 20 lm	6 h+ 80 lm	3 h+ 200 lm
----------------	---------------	----------------

3. Mount it



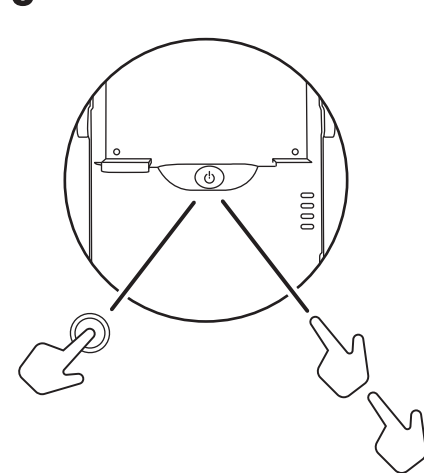
4. Use it



5. Additional light functions



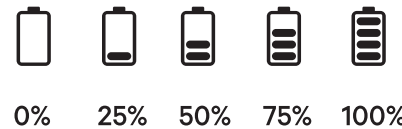
After 5 seconds without pressing the button, the next long press will always turn OFF the light.



6. Battery indication

Charging

Green blinking LEDs



Discharging

Red blinking



Main LED blinks 3 times and auto dims down to lowest light setting for 30 min.

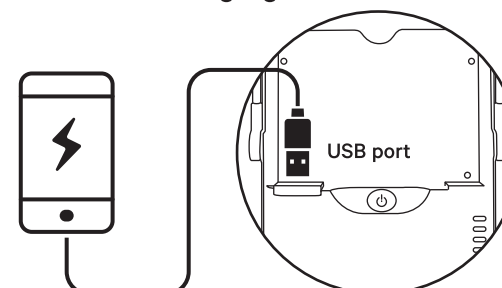
Steady red



A 30 second safety light is available when the button is pressed again.

7. Phone charging

Connect your phone to BRIGHT Move 120 with a USB cable and start charging.



Make sure the battery is charged before charging your phone. A phone will not charge if the battery is low.

8. Technical data

Battery

11.5 Wh LiFePo4 battery (3,600 mAh at 3.2 V)
5-7 year lifespan (2,000 charge cycles)

Materials

ABS, PC, Silicon, Steel

LED type

Samsung

The light source contained in this luminaire shall only be replaced by the manufacturer or his service agent or a similar qualified person.

2 Year Warranty

Limited Product Warranty for BRIGHT Move 120

BRIGHT PRODUCTS AS warrants that the product has been carefully tested, inspected and left the Factory in a proper working condition, free of visible defects. BRIGHT PRODUCTS AS warrants the product to be free from defects in material and workmanship, under normal use and operation, for a period of two (2) years after the date of sale/handover to consumer. "The product" in this warranty is defined as the "BRIGHT Move 120" solar lamp, consisting of the following main parts delivered in the unit packaging: BRIGHT Move 120.

The warranty is limited to the free replacement of the defective main part(-s) or replacement of the entire product during the two years of warranty. Defective parts/products replaced under this warranty shall become the property of BRIGHT PRODUCTS.

The above stated Warranty is subject to the following conditions:

Products are sold by authorized BRIGHT PRODUCTS AS representatives. The products are operated and maintained in accordance with BRIGHT PRODUCTS operating instructions, maintenance instructions and specifications. Utilization of only BRIGHT PRODUCTS AS authorized parts and accessories. The warranty shall not apply to damages resulting from normal wear and tear of product use, nor shall it apply to any product, which has been subject to damages, alterations or misuse by the purchaser. Parts of the product, which would be generally considered as expendable service items during normal use, such as cardboard box/packaging items, instruction manual etc., are not covered by the warranty.

The USB mobile phone charger is made to support most commonly available mobile phones based on their current/known specifications for charging current and accessories. The warranty does not cover replacement of the entire product or the USB mobile phone charger if the mobile phone used has specifications that does not comply with the charging current or specifications for the BRIGHT Move 120 and the USB charger.



Designed in Norway
For a world where people
see new possibilities

BRIGHT is an Oslo based company with a mission to deliver solutions for better off grid living. Bright's products bring better, cleaner and safer light to the millions of people without electricity.

Read more about us and our products on
bright-products.com

Made in China

This product has passed the
Lighting Global Quality Standards

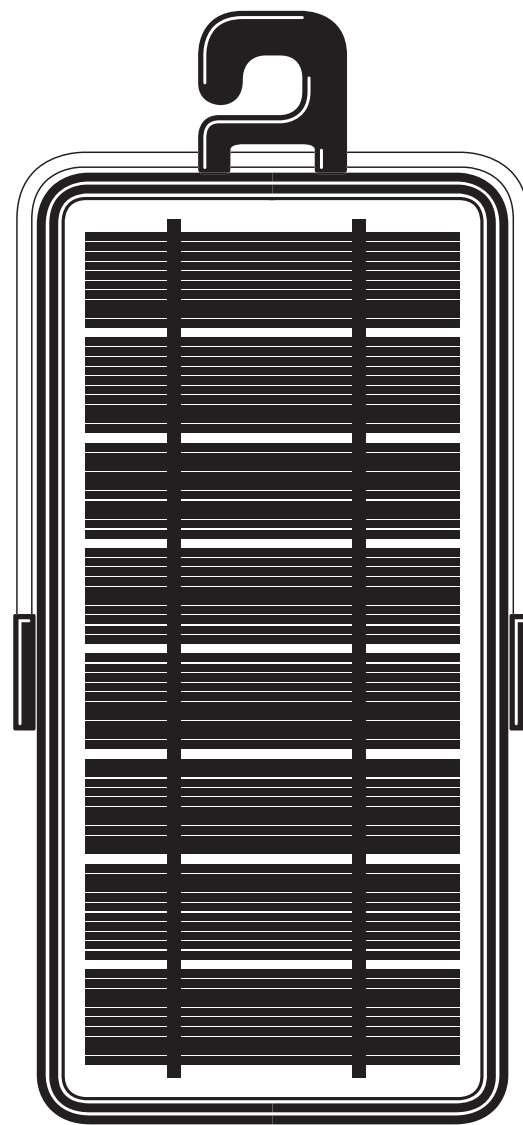
The battery is made to last
2,000 cycles or 5-7 years
and must be replaced by a
qualified agent.

How to make a warranty claim:

Warranty claims must be made directly to the point of purchase with a valid proof of purchase. If the warranty claim is found to be valid upon point of inspection, a replacement product or part will be handed out or ordered for hand out at a later date. If there is doubt about the validity of the warranty claim, the product may be kept by the seller to consult with importer or BRIGHT Products AS. BRIGHT Products AS and our representatives are not liable for products that are damaged or lost in transit. If needed, we recommend that you ship your returned products to point of purchase via a trackable shipment method.

THERE ARE NO WARRANTIES, WHICH EXTEND BEYOND THIS DESCRIPTION, AND EXPRESSLY NO IMPLIED WARRANTY OR MERCHANTABILITY OR FITNESS FOR A PARTICULAR PURPOSE. IN NO EVENT SHALL BRIGHT PRODUCTS BE LIABLE FOR SPECIAL, INCIDENTAL, OR CONSEQUENTIAL DAMAGES OR ANTICIPATED LOSS OF PROFITS SUFFERED BY THE PURCHASER. BRIGHT PRODUCTS AND OUR RESELLERS HAVE NO LIABILITY FOR ANY DAMAGE OR DESTRUCTION TO CONSUMER ELECTRONICS DEVICES OR OTHER PERSONAL PROPERTY THAT ARE USED IN CONNECTION WITH THE PRODUCTS, INCLUDING, BUT NOT LIMITED TO, LAPTOPS, CELL PHONES, MP3 PLAYERS, DVD PLAYERS OR HANDHELD DEVICES, OR ANY LOSS OF DATA CONTAINED IN THE FOREGOING DEVICES. NOT WITHSTANDING ANY DAMAGES THAT YOU MIGHT INCUR FOR ANY REASON WHATSOEVER (INCLUDING, BUT NOT LIMITED TO, ALL DAMAGES REFERRED TO HEREIN AND ALL DIRECT OR GENERAL DAMAGES IN CONTRACT, TORT (INCLUDING NEGLIGENCE OR OTHERWISE), THE ENTIRE LIABILITY OF BRIGHT PRODUCTS AND ANY OF ITS SUPPLIERS SHALL BE LIMITED TO THE AMOUNT ACTUALLY PAID BY YOU FOR THE PRODUCT. SOME STATES AND/OR JURISDICTIONS DO NOT ALLOW THE EXCLUSION OR LIMITATION OF INCIDENTAL OR CONSEQUENTIAL DAMAGES, SO THE ABOVE LIMITATIONS OR EXCLUSIONS MAY NOT APPLY TO YOU.

BR!GHT



BRIGHT Move 120 Instruction manual

